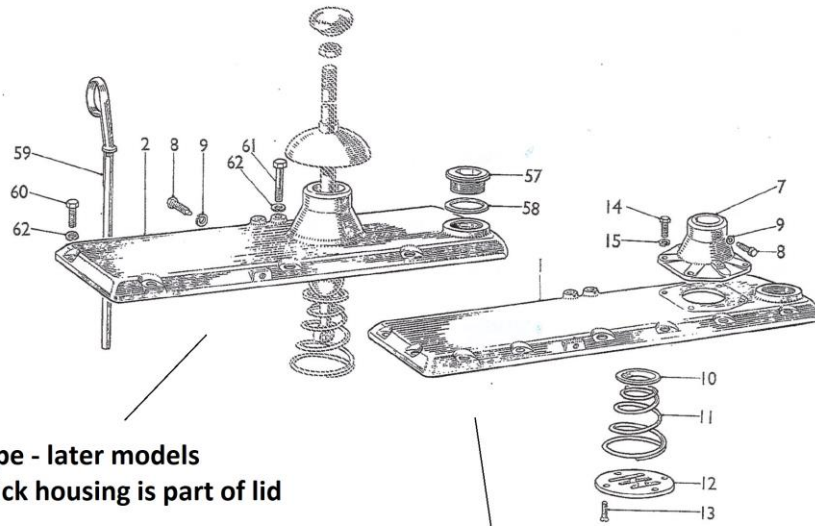


**M4, PM4 and DM4 with perkins engine**



**2nd Type - later models**  
Gearstick housing is part of lid

**1st Type - Early models**  
Gearstick housing bolts to lid